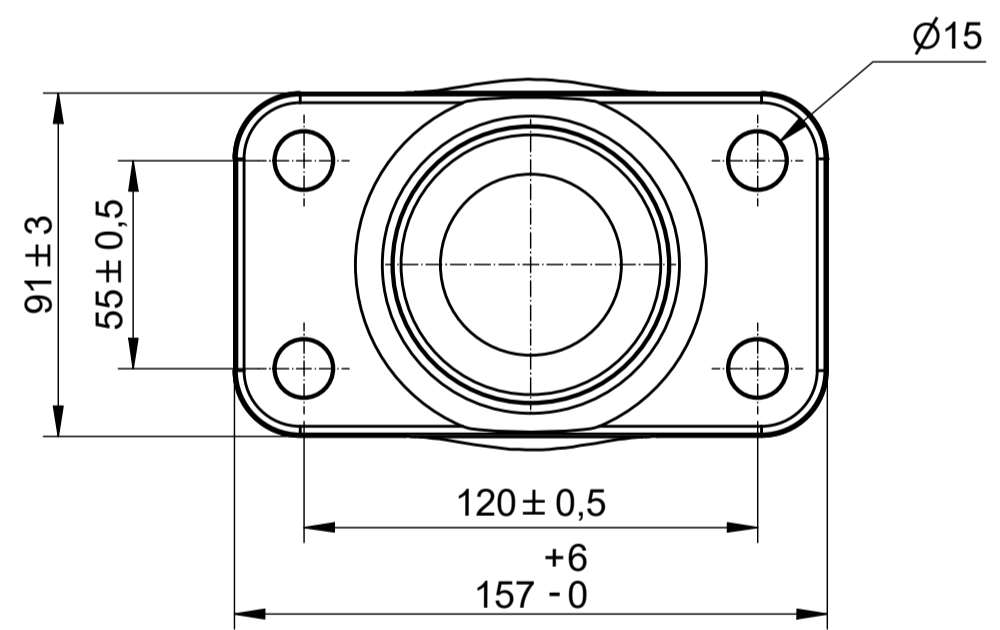


Lochbild / Hole pattern (1 : 2)



ECE-Typgenehmigung:
ECE-type approval:

zur Verbindung mit Zugösen:

suitable for connection with drawbar eyes:

Winkelausschläge der Zugöse:
angles of drawbar eye:

D: 85 kN
Dc: 70 kN
V: 28,2 kN / 25 kN
S: 700kg / 1000kg

E11 55R - 01 6290

Selbsttätige, nicht genormte Bolzenkupplung der Klasse S
Zugösen 40 mm gemäß ISO 8755 oder DIN 74054
Automatic non standard drawbar coupling class D
Drawbar eyes 40 mm acc. to ISO 8755 or DIN 74054

Horizontal ± 110°
Vertikal ± 20°
Axial ± 360° bei einem Mindest-Drehmoment von 100 Nm
if applying minimum torque of 100 Nm

Fastening torques according to mounting instruction
Anzugsmomente gemäß Montageanleitung

		Modified Date	Modified by	Modification No.	Issue
		2021-02-10	JL	13001	a
VBG GROUP Description RF40 G135 B		3D Model No.	15990595		Engineer
		Sheet Size	Scale	Production	Drawing Date
		A1	1 : 2	2021-02-10	HBH
		Stage Drawing No. P 15990595(Info)			
<small>This drawing is the property of VBG Group AB and is protected in accordance with prevailing law. Changes must be made in CAD program, this concerns both 2D & 3D.</small>					