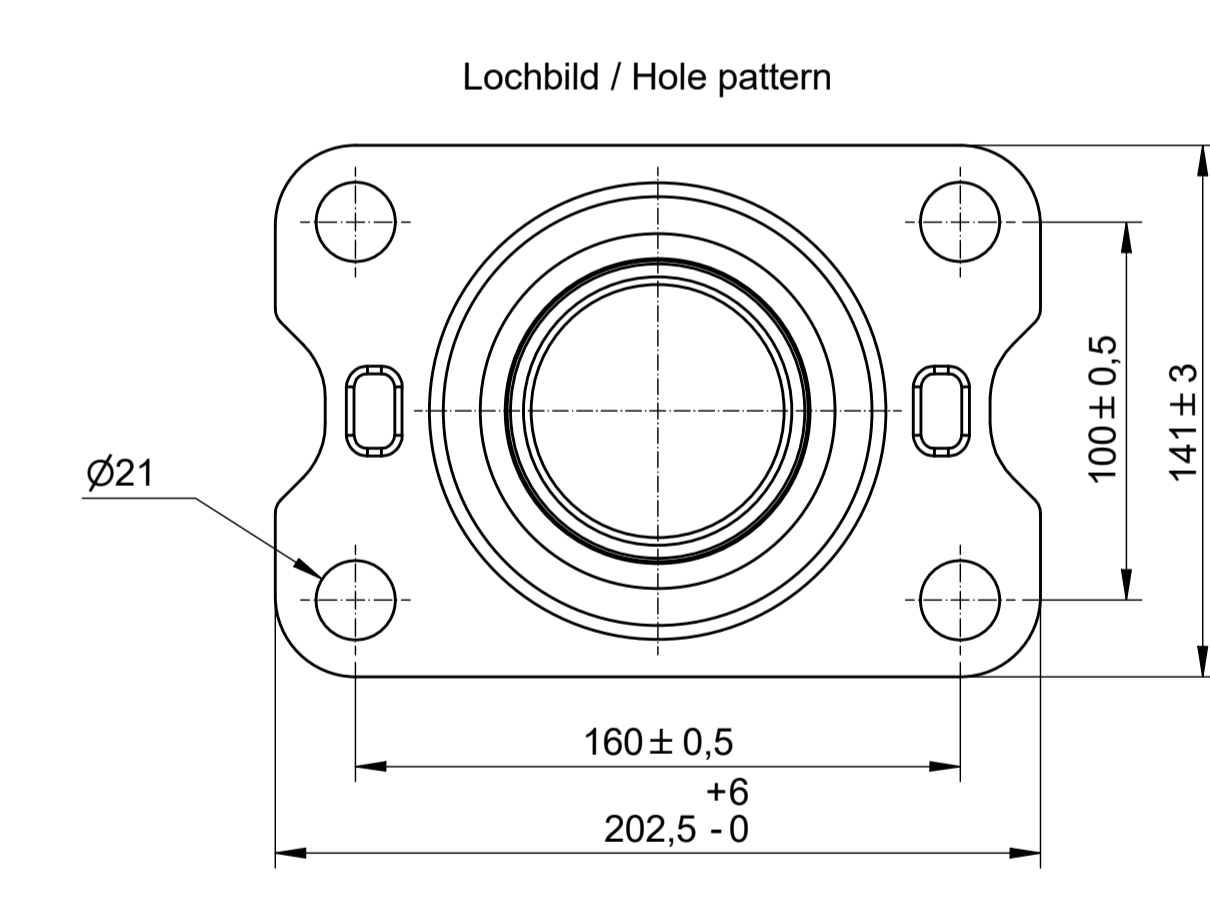


Identification plate

RINGFEDER
RF50 AM
 Zur Verbindung mit Zugösen Ø50 DIN 74053 oder ISO 1102

55R - 01 6289 Fabr. Nr. XXXXXX Bj. YY/WW
 D 200kN Dc: 135 Alt 1: 135 Alt 2: 135 kN
 Class: C50-X S: 1000 2000 2500 kg
 10090508 Made in Sweden V: 75 63 50 kN



Winkelausschläge der Zugöse D50:
 Angle of drawbar eye:

Horizontal ± 90° min
 Vertikal ± 20°
 Axial 360° bei einem Mindestdrehmoment von 100 Nm
 with a minimum torque of 100 Nm

Fastening torques according to mounting instruction
 Anzugsmomente gemäß Montageanleitung

 VBG GROUP		Modified Date	Modified by	Modification No.	Issue
		2021-03-01	HBH	13001	a
Description RF50 AM		3D Model No.	Drawing Date		Engineer
		15990591	2021-02-08		HBH
Stage Drawing No.		Sheet Size	Drawing Date		Checked by
		A1 1 : 2	2021-02-08		HBH
This drawing is the property of VBG Group AB and is protected in accordance with prevailing law. Changes must be made in CAD program, this concerns both 2D & 3D.		P 15990591(F) Info			
		Released			