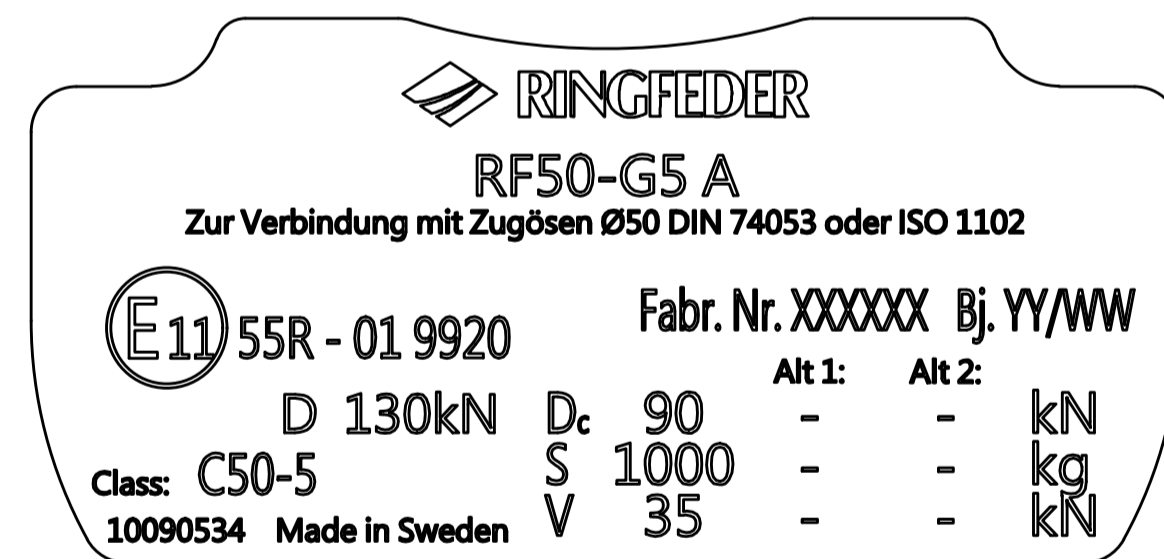
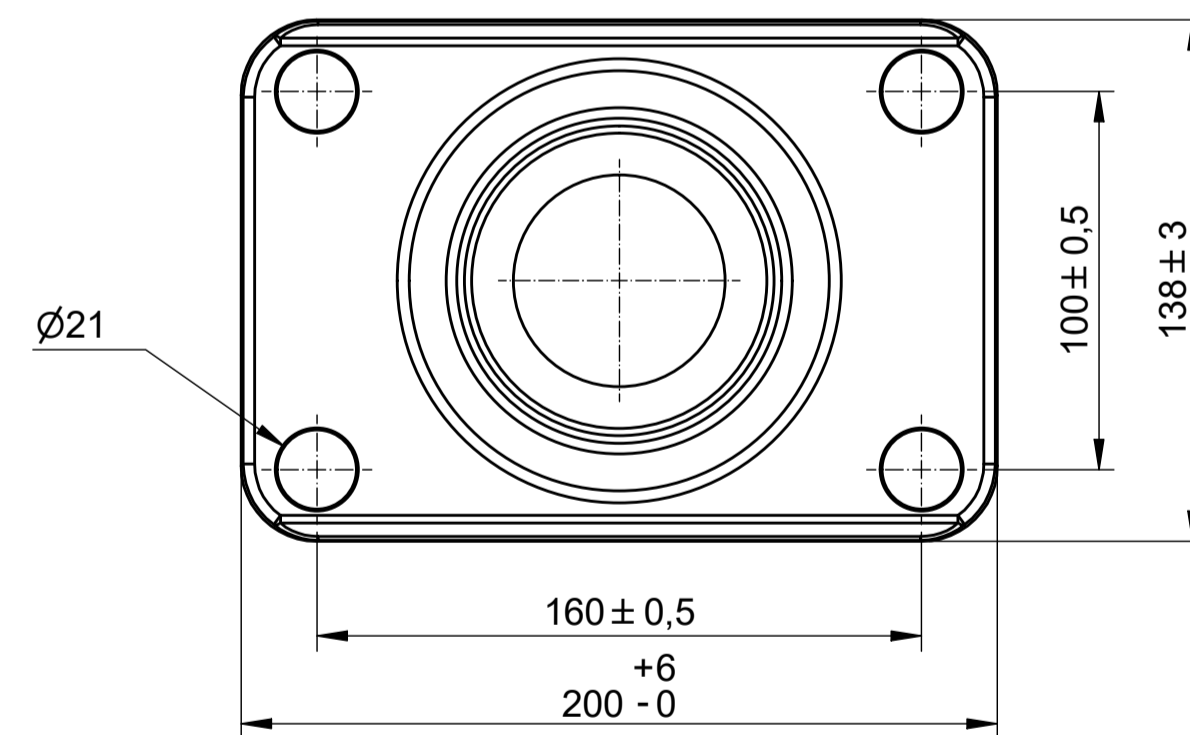


Identification plate



Lochbild / Hole pattern



Winkelausschläge der Zugöse D50:  
Angle of of drawbar eye:

Horizontal ± 90° min  
Vertikal ± 20°  
Axial 360° bei einem Mindestdrehmoment von 100 Nm  
with a minimum torque of 100 Nm

Fastening torques according to mounting instruction  
Anzugsmomente gemäß Montageanleitung



**VBG GROUP**

Description  
RF50 G5 A

Modified Date 2021-03-31	Modified by JL	Modification No. 13001	Issue a
3D Model No. 15990610	Scale 1:2	Production 2019-12-16	Engineer HBH
Sheet No. A1	Drawing No. P 15990610(F) Info	Drawing Date 2019-12-16	Drawn by HBH