

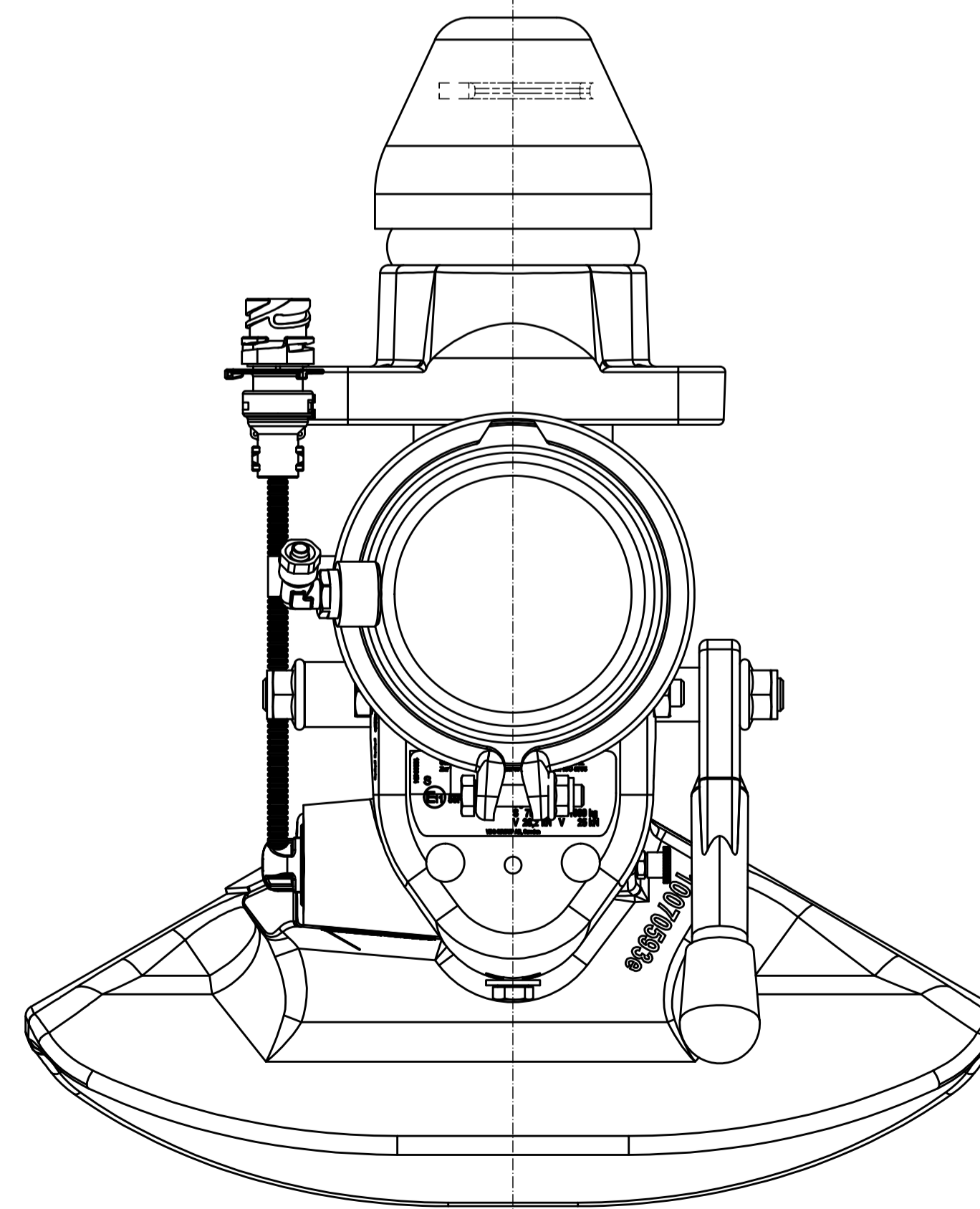
Possibilities to operate:

1. VBG valve box
2. C- connector
3. Palm- connector
4. Duomatic-connector

Betätigungsmöglichkeiten:

1. VBG Ventilkasten
2. C- Verbinder
3. Palm-Verbinder (Kupplungskopf standard rot)
4. Duomatik verbindung

D (1:2)



**RINGFEDER**  
 Selbsttätige Bolzenkupplung Typ 4040/G135 Ausf. AM u.  
 Zur Verbindung mit Zugösen 40 DIN 74054 oder ISO 8755

Fabr.-Nr.		Bj.	
<b>E11</b>	55R - 01 6290	D	85 kN
		Dc	70 kN
		S	700 kg
		V	28,2 kN
		S	1000 kg
		V	25 kN

**VBG GROUP AB, Sweden**

Winkelausschläge der Zugöse / angles of drawbar eye:  
 Horizontal : ±110°  
 Vertikal : ± 20°  
 Axial : 360° bei einem Mindestdrehmoment von 100Nm /  
 360° if using a minimum tightening torque of 100Nm

<b>VBG GROUP</b>	Modified Date	2014-04-11	Modified by	SN	12202	Issue	a	
	3D Model No.	14999513	Engineer	HBH	Checked by			
	Sheet Size	A1	Scale	1:2	Drawing Date	2014-03-28	Drafted by	rb
	Stage	1	Drawing No.	14999513-info				

This drawing is the property of VBG Group AB and is protected in accordance with prevailing law. Changes must be made in CAD program: this concerns both 2D & 3D.